

InstruPack

Sunshades & Mounting Brackets

Sunshades

- Sunshade IP-SS1: 160 mm (H), 320 mm (W), 400 mm (D)
- Sunshade IP-SS2: 165 mm (H), 220 mm (W), 365 mm (D)
- Sunshade IP-SS3: 104 mm (H), 330 mm (W), 305 mm (D)
- Sunshade IP-SS4: 130 mm (H), 220 mm (W), 300 mm (D)
- Sunshade IP-SS5A: 130 mm (H), 228 mm (W), 300 mm (D)
- Sunshade IP-SS5B: 130 mm (H), 228 mm (W), 300 mm (D)

Mounting Brackets

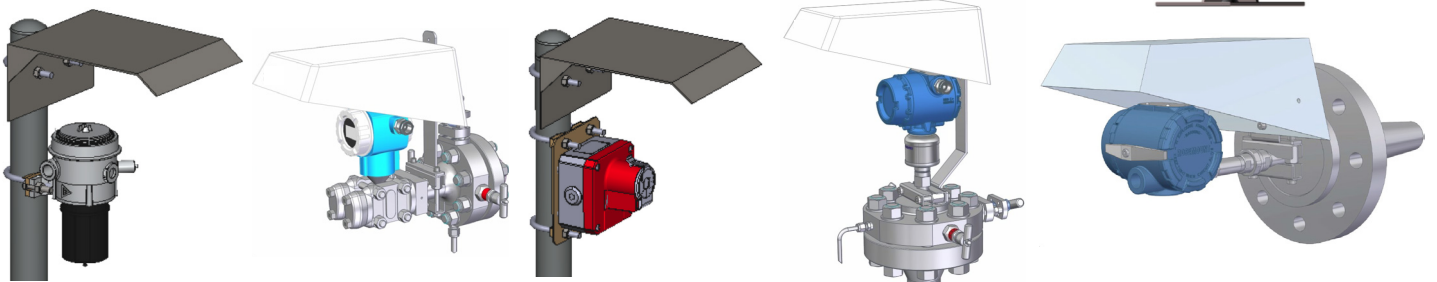
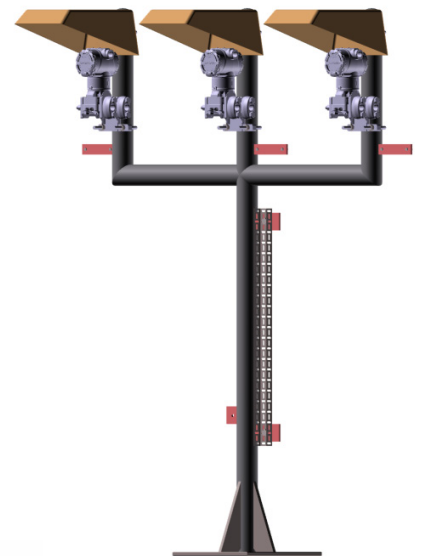
- IP-MB1100 - Direct Mount - Vertical
- IP-MB2100 - Direct Mount - Horizontal
- IP-MB3100 - Sunshade for Level Transmitter

Accessories

- IP-UC1: 2" Pipe stand U Clamps
- IP-UC2: 2" Pipe stand U Clamps with Bracket
- Nut-Bolts

Features

- Wide range of Sunshade options with mounting brackets
- Electronic Instrument protection against direct sun radiation, rain or snow cover
- Modular, Adjustable and Integrated Design, Seamlessly integrate with all type of Electronic Instruments and F&G detector Installation
- Ease of Installation, Easy to remove and install for Maintenance of Electronic Device



Contact us



InstruPack LLC

Sharjah Media City
Sharjah, United Arab Emirates

Contact No: +971 528633274

Email: sales@instrupack.com

Sunshade Features and Specification

- Glass Reinforced Plastic (GRP)
- High Impact Resistant
- Anti-Static, lightweight,
- Modular Design- Customizable
- Light Gray Colour, Long operational life.
- Suitable for all kind of Electronics Instruments
- Exceptionally Durable
- Weatherproof, UV Resistant
- Fire Retardant and Self Extinguishing
- Corrosion Resistant, Waterproof
- Mounting Brackets Integrity
- SS 316 Stainless Steel Accessories
- Suitable for Wireless Instruments
- Resistant to adverse conditions

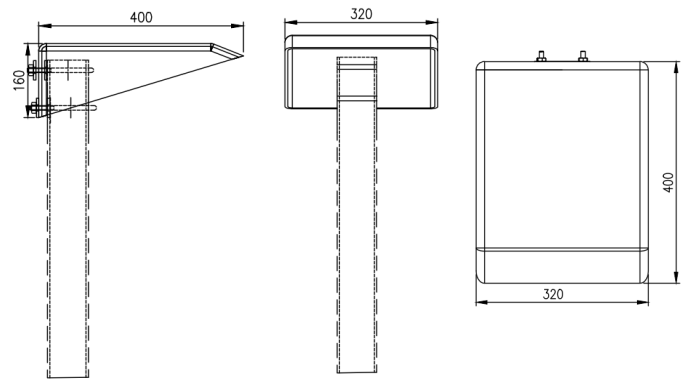
Sunshade IP-SS1

Material: Glass Reinforced Plastic (GRP)

Dimensions: 160 mm (H), 320 mm (W), 400 mm (D)

Thickness: 4 mm

Application: Stanchion Mounted Pressure, Flow, Level and Temperature Transmitter



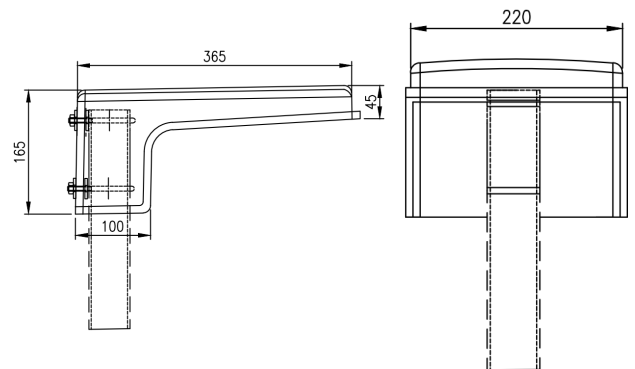
Sunshade IP-SS2

Material: Glass Reinforced Plastic (GRP)

Dimensions: 165 mm (H), 220 mm (W), 365 mm (D)

Thickness: 4 mm

Application: Stanchion Mounted Flame Detector



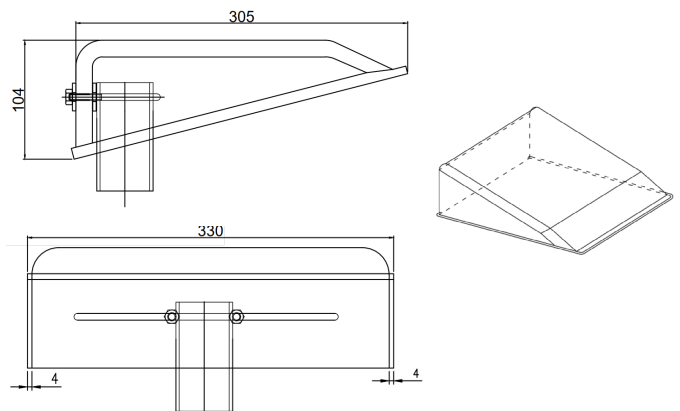
Sunshade IP-SS3

Material: Glass Reinforced Plastic (GRP)

Dimensions: 104 mm (H), 330 mm (W), 305 mm (D)

Thickness: 4 mm

Application: Stanchion Mounted Pressure, Flow, Level and Temperature Transmitter



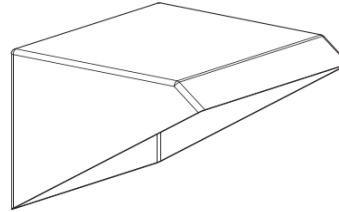
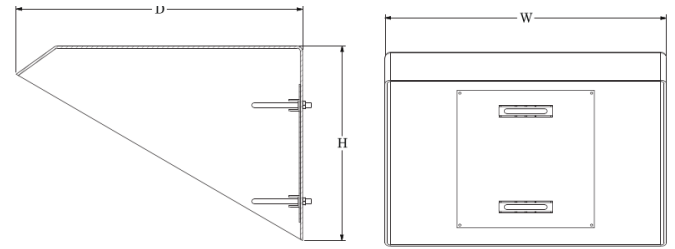
Sunshade IP-SS4

Material: Glass Reinforced Plastic (GRP)

Dimensions: 130 mm (H), 220 mm (W), 300 mm (D)

Thickness: 4 mm

Application: Compact Size Sunshade for Electronic Transmitter Direct mount



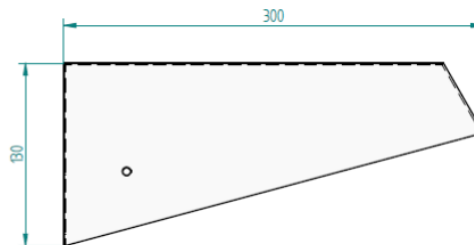
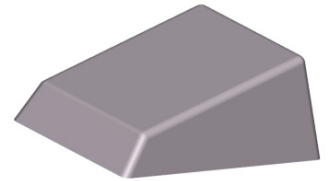
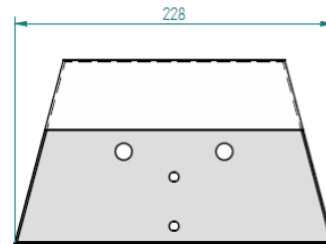
Sunshade IP-SS5A

Material : SS304, SS316

Dimensions: 130 mm (H), 228 mm (W), 300 mm (D)

Thickness: 2 mm for Stainless Steel

Application: Compact Size Sunshade for Electronic Transmitter Direct mount



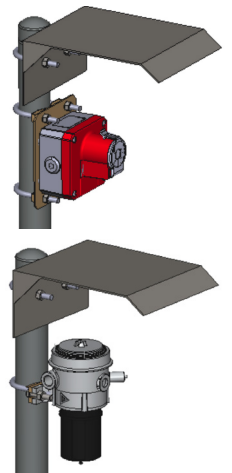
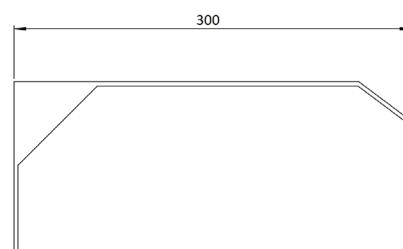
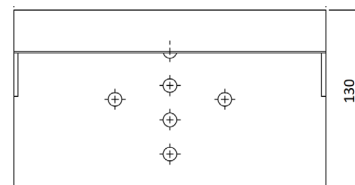
Sunshade IP-SS5B

Material: SS304, SS316

Dimensions: 130 mm (H), 228 mm (W), 300 mm (D)

Thickness: 2 mm for Stainless Steel

Application: Compact Size, open sides Sunshade for Hydrocarbon, Toxic Gas Detector, Manual call point, Push Buttons



Mounting Bracket: IP-UC1 & IP-UC2

IP-UC1: U-Clamp for mounting Sunshade to 2" Pipe stand

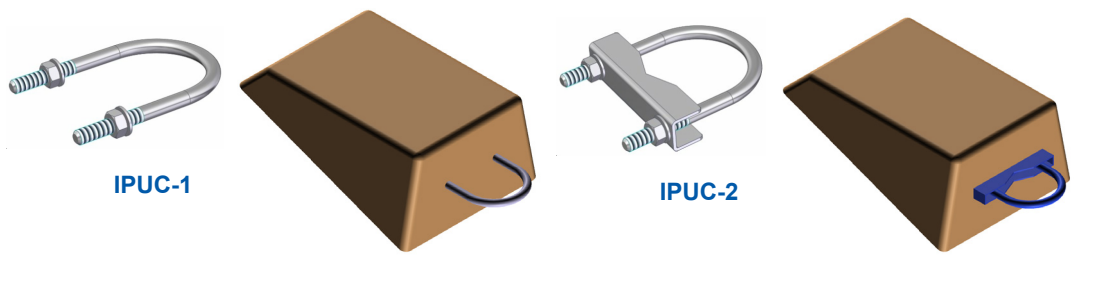
IP-UC2: U-Clamp with Bracket for mounting Sunshade to 2" Pipe stand

Dimensions: Suitable for 2" Pipe Stand

Material: SS304, SS316, Galvanised (GV)

Application: Mounting Sunshade to 2" Pipe stand

Coating/Painting: Available as per end user Specification



Mounting Bracket: IP-MB1100- Vertical Installation

Orientation of nozzle: Vertical

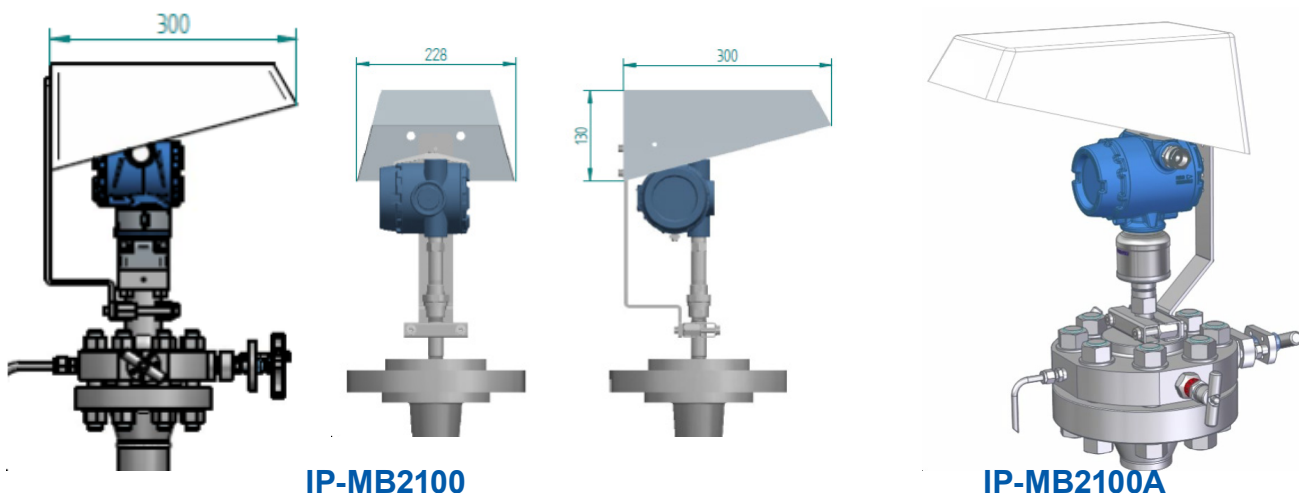
Components: Mounting Bracket, Clamps, Stud, Bolts, washer

Material: SS304, SS316, Galvanised (GV)

Application: Mounting Sunshade to instrument installed on process pipe Vertically

Coating/Painting: Available as per end user Specification

Support Pipe size: Standard Clamps available suitable for pipe size: 1/2", 3/4", 1", 1.5", 2", 3", 4"



Sunshades & Mounting Brackets

Mounting Bracket: IP-MB2100- Horizontal Installation

Orientation of nozzle: Horizontal

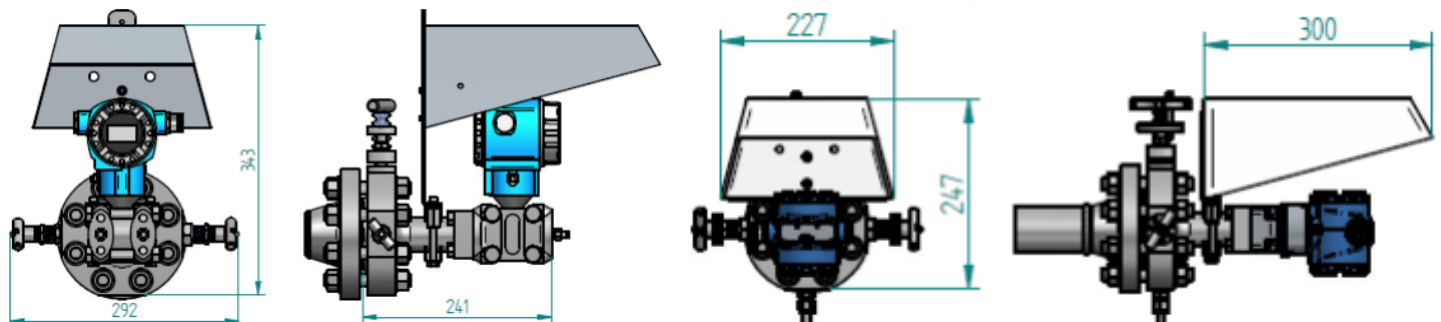
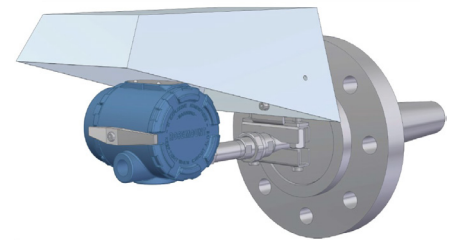
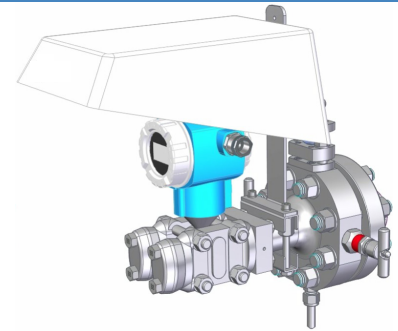
Components: Mounting Bracket, Clamps, Stud, Bolts, washer

Material: SS304, SS316, Galvanised (GV)

Application: Mounting Sunshade to instrument installed on process pipe Horizontally

Coating/Painting: Available as per end user Specification

Support Pipe size: Standard Clamps available suitable for pipe size: 1/2", 3/4", 1", 1.5", 2", 3", 4"



Mounting Bracket: IP-MB3100 - Level Transmitter Sunshade Installation

Orientation of nozzle: Vertical, Level Transmitter on the vessel nozzle or Level stand

Components: Mounting Bracket, Clamps, Stud, Bolts, washer

Material: SS304, SS316, Galvanised (GV)

Application: Level Transmitter Sunshade

Coating/Painting: Available as per end user Specification

Support Pipe size: Standard Clamps available suitable for Vessel Nozzle / Level Stand size: 2", 3", 4"

