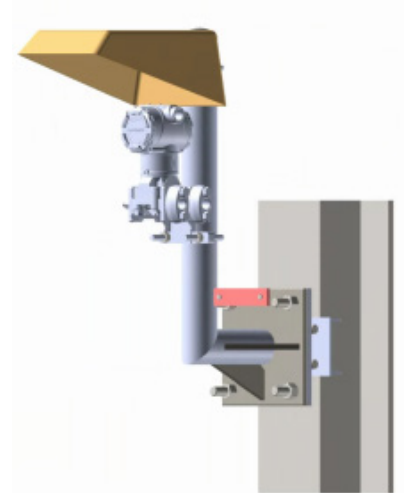
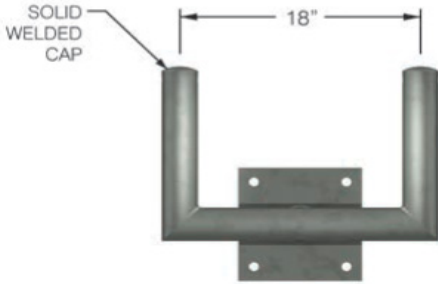
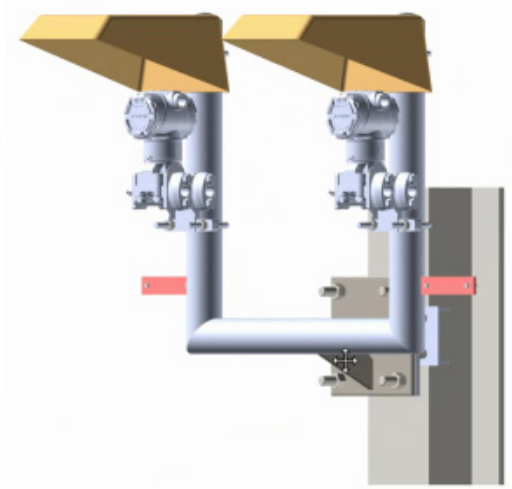
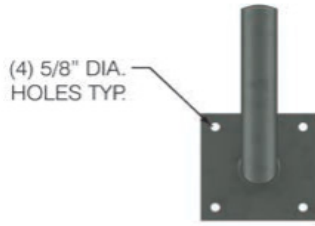


Instrument Stands



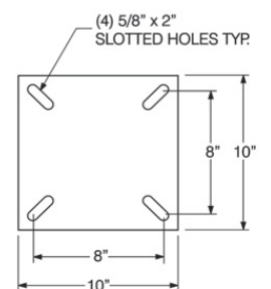
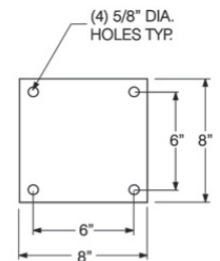
InstruPack

Wall Mount Stands



Example: IPIS- 2- WM- 2- GV- NA- 8- SS- 4G/E/TPS/*

- Basic Part:
InstruPack Instrument Stand
- Size of Pipe: (2" or 3")
- Type of Mount: Wall Mount (WM)
- No. of Columns: 1,2,3
- Material Finish:
Galvanized (GV), 304SS (4SS),
316SS (6SS), Painted (PT)
- Heights: NA
(Standard Height)
- Base Plate Size:
8" x 8" x 3/8" : 8
10" x 10" x 3/8" : 10
- Sunshade: SS
- Optional
Gussets: 2G/4G
Earth Tongue: E
Instrument Tag plate strip: TPS
Instrument Tag Plate (SS):ITP



Wall Mount Stands